



SMD High Current Power Inductors - SEP0605EB SERIES



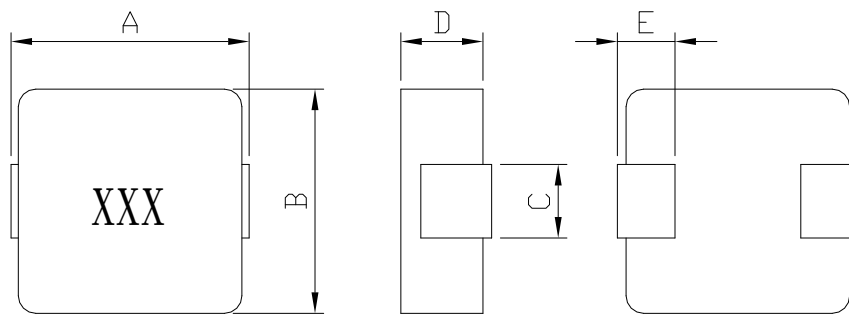
PART NUMBERING SYSTEM

SEP	0605EB	—	4R7M	—	LF
TYPE	DIMENSIONS		INDUCTANCE		LEAD FREE

FEATURES :

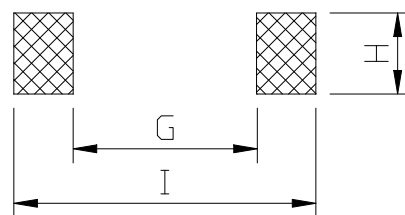
- Magnetically shielded and Lowest DCR/ μ H, in this package size .
- Inductance range : 0.56uH to 10uH with DC Current up to 12A.
- Ideal for DC – DC converter inductor application in hand help personal Computer ,etc .
- Frequency range below 1.0 MHz .
- Ultra low buzz noise, due to composite construction .
- Lead Free with RoHS compliant .

SHAPES AND DIMENSIONS :



A=7.5Max. B=6.8Max. C=3.0±0.3 D=5.0 Max. E=1.6±0.3 UNIT : mm

RECOMMENDED PATTERNS



H=3.5 G= 3.8 I = 8.0 UNIT : mm

SMD High Current Power Inductors - SEP0605EB SERIES

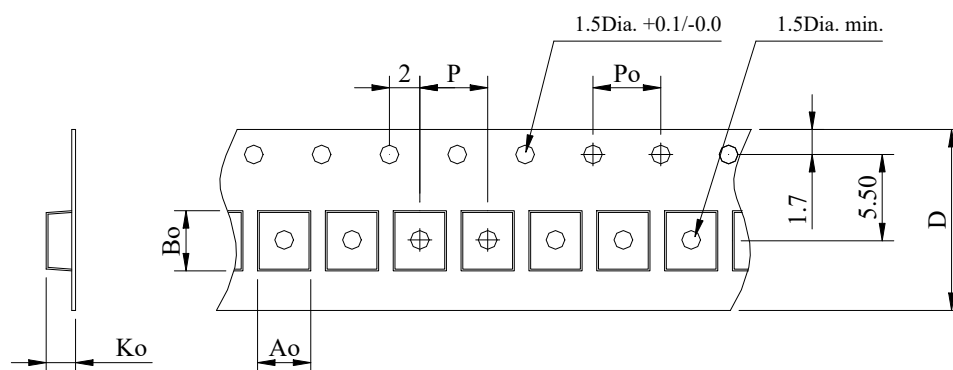


SPECIFICATION TABLE

PART NUMBER	INDUCTANCE (μH)	I _{sat} (A) (Typ.)	I _{rms} (A) (Typ.)	DCR (mΩ) (Typ.)	DCR (mΩ) (Max.)	TEST FREQ. (Freq.)
SEP0605EB-R56M-LF	0.56±20%	12.0	20.0	3.4	3.6	100KHz/0.1V
SEP0605EB-R68M-LF	0.68±20%	11.5	18.0	4.2	4.5	100KHz/0.1V
SEP0605EB-R82M-LF	0.82±20%	13.0	16.5	4.6	4.9	100KHz/0.1V
SEP0605EB-1R0M-LF	1.0±20%	15.0	13.0	5.6	6.5	100KHz/0.1V
SEP0605EB-1R5M-LF	1.5±20%	12.0	12.0	8.6	9.0	100KHz/0.1V
SEP0605EB-2R2M-LF	2.2±20%	10.0	10.0	13.0	13.6	100KHz/0.1V
SEP0605EB-3R3M-LF	3.3±20%	8.0	8.0	19.9	20.9	100KHz/0.1V
SEP0605EB-4R7M-LF	4.7±20%	7.0	6.5	28.9	30.3	100KHz/0.1V
SEP0605EB-5R6M-LF	5.6±20%	7.0	6.0	32.7	34.4	100KHz/0.1V
SEP0605EB-6R8M-LF	6.8±20%	5.5	5.5	42.5	44.6	100KHz/0.1V
SEP0605EB-8R2M-LF	8.2±20%	5.0	5.0	48.3	50.7	100KHz/0.1V
SEP0605EB-100M-LF	10±20%	4.5	4.5	67.9	71.3	100KHz/0.1V

- I_{sat} : DC current at which the inductance drops 20% (typ) from its value without current.
- I_{rms} : Average current for a 40°C temperature rise above 25°C ambient.
- Operating temperature range -55°C to +125°C , Electrical specifications at 25°C.

PACKAGING SPECIFICATION



STAYLE	Q'TY (PCS)	DIMENSIONS (m/m)					
		Ao	Bo	Ko	P	Po	D±0.3
13"	1,000	7.2	7.0	4.4	12	4.0	16